

# **Application Note**

## **Temperature Sensor IC**



# Application Note

## Temperature Sensor IC

### Content



INNOVATIVE SENSOR TECHNOLOGY



1. TSic 206/203/201/306/316/303/301 3



2. TSic 506F/503F/516/501F 4



3. TSic 716 5



4. TSic Accuracy Overview<sup>1)</sup> 5

5. ZACwire™ Digital Output 6

6. Die and Package Specifications 11

7. TSic Block Diagram 14

8. Additional Documents 15



# Application Note Temperature Sensor IC



INNOVATIVE SENSOR TECHNOLOGY



## 1. TSic 206/203/201/306/316/303/301

The TSic series of temperature sensor ICs are specifically designed as a low-power solution for temperature measurement in building automation, medical/pharma technologies, industrial and mobile applications. The TSic provides a simple temperature measurement and achieves outstanding accuracy combined with long term stability.

The TSic has a high precision bandgap reference with a PTAT (proportional-to-absolute-temperature) output, a low-power and high-precision ADC and an on-chip DSP core with an EEPROM for the precisely calibrated output signal. The TSic temperature sensor is fully calibrated, meaning no further calibration effort is required by the customer.

Extended long wires (> 10 m) will not influence the accuracy. The TSic is available with digital (ZacWire™, TSic x06), analog (0 V to 1V, TSic x01) or ratiometric (10 % to 90 % V<sup>+</sup>, TSic x03) output signal. The low power consumption of about 35 μA makes it suitable for many applications.

With an accuracy of ±0.3 K in a temperature range of 80 K (e.g. +10 °C to +90 °C), the TSic sensors are more accurate than a class F0.3 (IEC60751) platinum sensor. The tolerances of the TSic and F 0.3 and F 0.15 platinum sensors are compared in Figure 1. With a standard calibration, the TSic 30x is more accurate than a F 0.3 platinum sensor in the range of +10 °C to +110 °C. The range can be shifted up or downwards to reach a high accuracy between e.g. -30 °C to +50 °C.

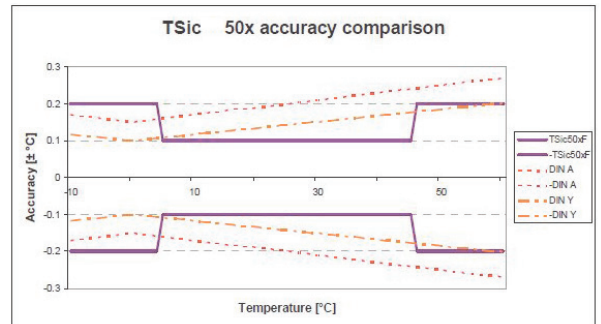


Figure 1: Comparison of TSic <-> platinum sensor accuracy

### Output examples

Temperature Range: -50 °C to +150 °C

Temp (°C)	Digital Values (TSic x06)	Analog 0 V to 1 V (TSic x01)	Analog Ratiometric 10 % to 90 % V <sup>+</sup> (V <sup>+</sup> = 5.0 V) (TSic x03)
-50 <sup>1)</sup>	0x000	0.000	10 % V <sup>+</sup> (0.5 V)
-10	0x199	0.200	26 % V <sup>+</sup> (1.3 V)
0	0x200	0.250	30 % V <sup>+</sup> (1.5 V)
25	0x2FF	0.375	40 % V <sup>+</sup> (2.0 V)
60	0x465	0.550	54 % V <sup>+</sup> (2.7 V)
125	0x6FE	0.875	80 % V <sup>+</sup> (4.0 V)
150 <sup>2)</sup>	0x7FF	1.000	90 % V <sup>+</sup> (4.5 V)

1) LT = -50 2) HT = 150 as standard value for the temperature calculation

Formulas for the output signal [°C]:

Analog output (0 V to 1 V):

$$T = \text{Sig [V]} \times (\text{HT} - \text{LT}) + \text{LT [°C]}$$

$$\frac{\text{Sig [V]} - 0.1}{\text{V}^+ [\text{V}]}$$

Ratiometric output (10 % to 90 %):

$$T = \frac{\text{Sig [V]} - 0.1}{0.8} \times (\text{HT} - \text{LT}) + \text{LT [°C]}$$

Digital output - 11 bit:

$$T = \frac{\text{Digital signal}}{2047} \times (\text{HT} - \text{LT}) + \text{LT [°C]}$$

Digital output - 14 bit (TSic 316):

$$T = \frac{\text{Digital signal}}{16383} \times (\text{HT} - \text{LT}) + \text{LT [°C]}$$

LT: Lower temperature limit [= -50 °C]

V<sup>+</sup>: Supply voltage [V]

HT: Higher temperature limit [= +150 °C]

Sig[V]: Analog/ratiometric output signal [V]



# Application Note Temperature Sensor IC



INNOVATIVE SENSOR TECHNOLOGY



## 2. TSic 506F/503F/516/501F

The TSic series of temperature sensor ICs are specifically designed as a low-power solution for temperature measurement in building automation, medical / pharma technologies, industrial and mobile applications. The TSic provides a simple temperature measurement and achieves outstanding accuracy combined with long term stability. The TSic has a high precision bandgap reference with a PTAT (proportional-to-absolute-temperature) output, a low-power and high-precision ADC and an on-chip DSP core with an EEPROM for the precisely calibrated output signal. The TSic temperature sensor is fully calibrated, meaning no further calibration effort is required by the customer. With an accuracy of  $\pm 0.1$  K in a range of 40 K (e.g.  $+5$  °C to  $+45$  °C), the sensor is more accurate than a class F0.1 (IEC 60751) platinum sensor.

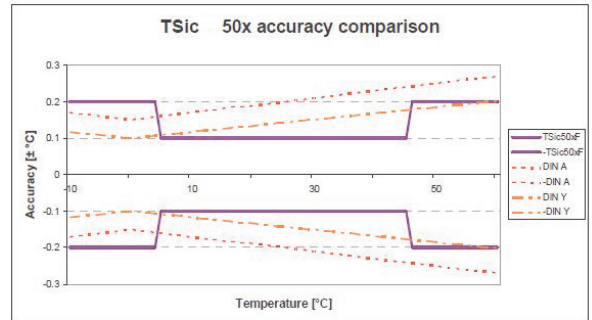


Figure 1: Comparison of TSic <-> platinum sensor accuracy

Extended long wires (> 10 m) will not influence the accuracy. The TSic is available with digital (ZacWire™, TSic 506F), analog (0 V to 1 V, TSic 501F) or ratiometric (10 % to 90 % V<sup>+</sup>, TSic 503F) output signal. The low power consumption of about 35  $\mu$ A makes it suitable for many applications.

Output Examples				Temperature Range: -10 °C to +60 °C	
Temp (°C)	Digital Values (TSic x06)	Analog 0 V to 1 V (TSic x01)	Analog Ratiometric 10 % to 90 % (V <sup>+</sup> = 5.0 V) (TSic x03)		
< -10 to -10 <sup>1)</sup>	0x000	0.000	10 % V <sup>+</sup> (0.5 V)		
0	0x124	0.143	21.4 % V <sup>+</sup> (1.07 V)		
25	0x3FF	0.500	50 % V <sup>+</sup> (2.5 V)		
+60 <sup>2)</sup> to > +60	0x7FF	1.000	90 % V <sup>+</sup> (4.5 V)		

1) LT = -10

2) HT = 60 as standard value for the temperature calculation

Formulas for the output signal [°C]:

Analog output (0 V to 1 V):

$$T = \text{Sig [V]} \times (\text{HT} - \text{LT}) + \text{LT [°C]}$$

Ratiometric output (10 % to 90 %):

$$T = \frac{\frac{\text{Sig [V]} - 0.1}{\text{V}^+ \text{ [V]}}}{0.8} \times (\text{HT} - \text{LT}) + \text{LT [°C]}$$

Digital output - 11 bit:

$$T = \frac{\text{Digital signal}}{2047} \times (\text{HT} - \text{LT}) + \text{LT [°C]}$$

Digital output - 14 bit (TSic 516):

$$T = \frac{\text{Digital signal}}{16383} \times (\text{HT} - \text{LT}) + \text{LT [°C]}$$

LT: Lower temperature limit [= -10 °C]  
HT: Higher temperature limit [= +60 °C]

V<sup>+</sup>: Supply voltage [V]  
Sig[V]: Analog/ratiometric output signal [V]



# Application Note Temperature Sensor IC



INNOVATIVE SENSOR TECHNOLOGY



## 3. TSic 716

The TSic series of temperature sensor ICs are specifically designed as a low-power solution for temperature measurement in building automation, medical/pharma technologies, industrial and mobile applications. The TSic provides a simple temperature measurement and achieves outstanding accuracy combined with long term stability.

The TSic has a high precision bandgap reference with a PTAT (proportional-to-absolute-temperature) output, a low-power and high-precision ADC and an on-chip DSP core with an EEPROM for the precisely calibrated output signal. The IST AG TSic sensor is fully tested and calibrated to ensure the guaranteed accuracy.

Output Examples Temp (°C)	Digital
+35	0x2925
+40	0x2DB7
+45	0x3249

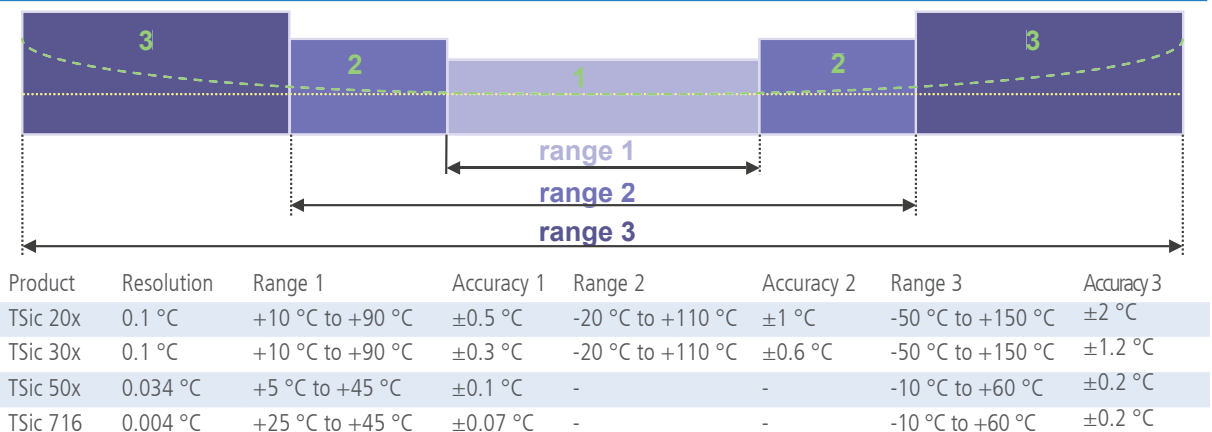
Temperature Range: -10 °C to +60 °C

Formulas for the output signal [°C]:

Digital output: 
$$T = \frac{\text{Digital signal}}{16383} \times (HT - LT) + LT \text{ [°C]}$$

- LT: Lower temperature limit [= -10 °C]
- HT: Higher temperature limit [= +60 °C]
- V<sup>+</sup>: Supply voltage [V]

## 4. TSic Accuracy Overview<sup>1)</sup>



1) Range 1 can be shifted to a customer specific temperature



# Application Note Temperature Sensor IC



INNOVATIVE SENSOR TECHNOLOGY



## 5. ZACwire™ Digital Output

### 5.1 TSic ZACwire™ Communication Protocol

ZACwire™ is a single wire bi-directional communication protocol. The bit encoding is similar to Manchester in that clocking information is embedded into the signal (falling edges of the signal happen at regular periods). This allows the protocol to be largely insensitive to baud rate differences between the two ICs communicating. In end-user applications, the TSic will be transmitting temperature information, and another IC in the system (most likely a  $\mu$ Controller) will be reading the temperature data over the ZACwire™.

### 5.2 Temperature Transmission Packet from a TSic

The TSic transmits 1-byte packets. These packets consist of a start bit, 8 data bits, and a parity bit. The nominal baud rate is 8 kHz (125  $\mu$ sec bit window). The signal is normally high. When a transmission occurs, the start bit occurs first followed by the data bits (MSB first, LSB last). The packet ends with an even parity bit.

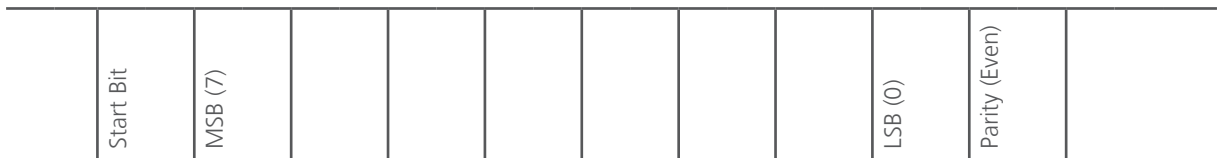


Figure 1.1 – ZACwire™ Transmission Packet

The TSic provides temperature data with 11-bit or 14-bit resolution, and obviously these 11 bits or 14-bit of information cannot be conveyed in a single packet. A complete temperature transmission from the TSic consists of two packets. The first packet contains the most significant 3 bits or 6 bits of temperature information, and the second packet contains the least significant 8 bits of temperature information. There is a single bit window of high signal (stop bit) between the end of the first transmission and the start of the second transmission.

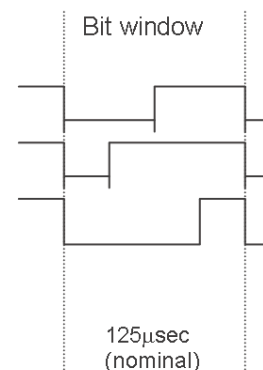


Figure 1.2 – Full ZACwire™ Temperature Transmission from TSic

### 5.3 Bit Encoding

The bit format is duty cycle encoded:

- Start bit => 50 % duty cycle used to set up strobe time
- Logic 1 => 75 % duty cycle
- Logic 0 => 25 % duty cycle





# Application Note

## Temperature Sensor IC



INNOVATIVE SENSOR TECHNOLOGY



Perhaps the best way to show the bit encoding is with an oscilloscope trace of a ZACwire™ transmission. The following shows a single packet of 96 Hex being transmitted. Because 96 Hex is already even parity, the parity bit is zero.

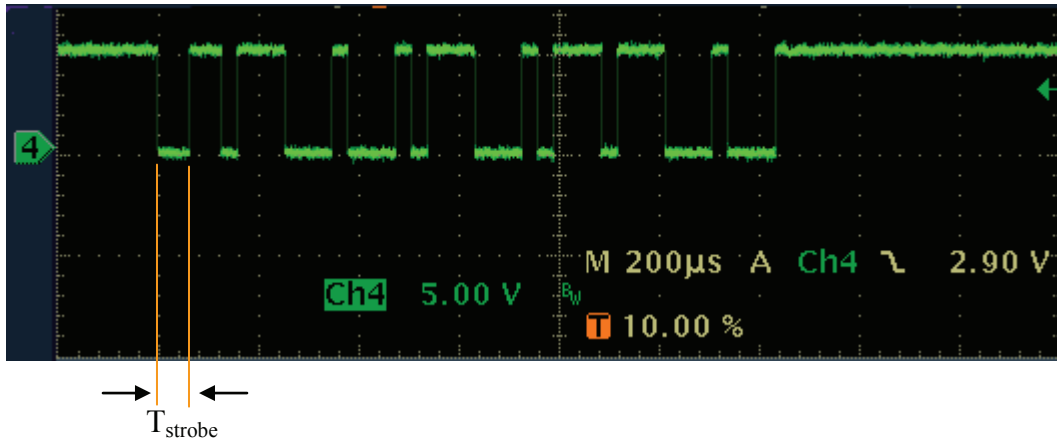


Figure 1.3 – ZACwire™ Transmission

### 5.4 How to Read a Packet

When the falling edge of the start bit occurs, measure the time until the rising edge of the start bit. This time ( $T_{\text{strobe}}$ ) is the strobe time. When the next falling edge occurs, wait for a time period equal to  $T_{\text{strobe}}$ , and then sample the ZACwire™ signal. The data present on the signal at this time is the bit being transmitted. Because every bit starts with a falling edge, the sampling window is reset with every bit transmission. This means errors will not accrue for bits downstream from the start bit, as it would with a protocol such as RS232. It is recommended, however, that the sampling rate of the ZACwire™ signal when acquiring the start bit be at least 16x the nominal baud rate. Because the nominal baud rate is 8 kHz, a 128 kHz sampling rate is recommended when acquiring  $T_{\text{strobe}}$ .

### 5.5 How to Read a Packet using a $\mu$ Controller

It is best to connect the ZACwire™ signal to a pin of the  $\mu$ Controller that is capable of causing an interrupt on a falling edge. When the falling edge of the start bit occurs, it causes the  $\mu$ Controller to branch to its ISR. The ISR enters a counting loop incrementing a memory location ( $T_{\text{strobe}}$ ) until it sees a rise on the ZACwire™ signal. When  $T_{\text{strobe}}$  has been acquired, the ISR can simply wait for the next 9 falling edges (8-data, 1-parity). After each falling edge, it waits for  $T_{\text{strobe}}$  to expire and then sample the next bit.

The ZACwire™ line is driven by a strong CMOS push/pull driver. The parity bit is intended for use when the ZACwire™ is driving long (> 2 m) interconnects to the  $\mu$ Controller in a noisy environment. For systems in which the “noise environment is more friendly”, the user can choose to have the  $\mu$ Controller ignore the parity bit. In the appendix of this document is sample code for reading a TSic ZACwire™ transmission using a PIC16F627  $\mu$ Controller.

### 5.6 How Often Does the TSic Transmit?

If the TSic is being read via an ISR, how often is it interrupting the  $\mu$ Controller with data? The update rate of the TSic can be programmed to one of 4 different settings: 250 Hz, 10 Hz, 1 Hz, and 0.1 Hz. This is done during calibration of the sensor on IST AG side. The standard update rate is 10 Hz (TSic 206, TSic 306, TSic 506) or 1 Hz (TSic 716). For other update rates please contact IST AG. Servicing a temperature-read ISR requires about 2.7 ms. If the update rate of the TSic is programmed to 250 Hz, then the  $\mu$ Controller spends about 66 % of its time reading the temperature transmissions. If, however, the update rate is programmed to something more reasonable like 1 Hz, then the  $\mu$ Controller spends about 0.27 % of its time reading the temperature transmissions.



# Application Note Temperature Sensor IC



INNOVATIVE SENSOR TECHNOLOGY

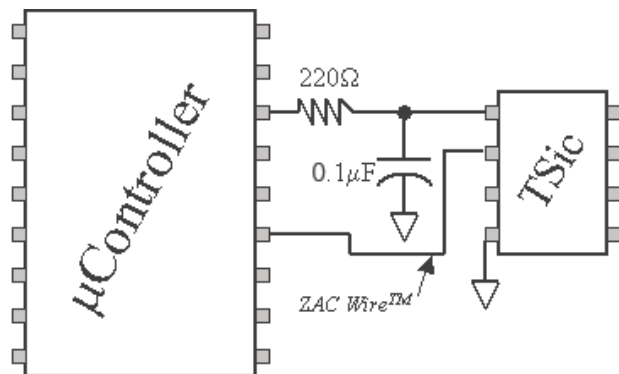


## 5.7 Solutions if Real Time System Cannot Tolerate the TSic Interrupting the $\mu$ Controller

Some real time systems cannot tolerate the TSic interrupting the  $\mu$ Controller. The  $\mu$ Controller must initiate the temperature read. This can be accomplished by using another pin of the  $\mu$ Controller to supply  $V_{DD}$  to the TSic. The TSic will transmit its first temperature reading approximately 65-85 ms<sup>1)</sup> (@RT) after power up. When the  $\mu$ Controller wants to read the temperature, it first powers the TSic using one of its port pins. It will receive a temperature transmission approximately 65 ms to 85 ms later. If during that 85 ms, a higher priority interrupt occurs, the  $\mu$ Controller can simply power down the TSic to ensure it will not cause an interrupt or be in the middle of a transmission when the high priority ISR finishes. This method of powering the TSic has the additional benefit of acting like a power down mode and reducing the quiescent current from a nominal 45  $\mu$ A to zero. The TSic is a mixed signal IC and provides best performance with a clean  $V_{DD}$  supply. Powering through a  $\mu$ Controller pin does subject it to the digital noise present on the  $\mu$ Controller's power supply. Therefore it is best to use a simple RC filter when powering the TSic with a  $\mu$ Controller port pin. See the diagram below

1) This value is depending on the temperature. In lower temperatures this value can be lower too

$\mu$ Controller powers TSic with a port pin through a simple RC filter.



## 5.8 Appendix A: An Example of PIC1 Assembly Code for Reading the ZACwire™

In the following code example, it is assumed that the ZACwire™ pin is connected to the interrupt pin (PORTB, 0) of the PIC and that the interrupt is configured for falling edge interruption. This code should work for a PIC running between 2 MHz to 12 MHz.

```

TEMP_HIGH    EQU    0X24    ;; MEMORY LOCATION RESERVED FOR TEMP HIGH BYTE
TEMP_LOW     EQU    0X25    ;; MEMORY LOCATION RESERVED FOR TEMP LOW BYTE
                ;; THIS BYTE MUST BE CONSECUTIVE FROM TEMP_HIGH
LAST_LOC     EQU    0X26    ;; THIS BYTE MUST BE CONSECUTIVE FROM TEMP_LOW
TSTROBE      EQU    0X26    ;; LOCATION TO STORE START BIT STROBE TIME
ORG          0X004        ;; ISR LOCATION

```

.....

CODE TO SAVE ANY NEEDED STATE AND TO DETERMINE THE SOURCE OF THE ISR GOES HERE. ONCE YOU HAVE DETERMINED THE SOURCE IF THE INTERRUPT WAS A ZAC WIRE TRANSMISSION THEN YOU BRANCH TO ZAC\_TX

.....

```

ZAC_TX:       MOVLW TEMP_HIGH    ;; MOVE ADDRESS OF TEMP_HIGH (0X24) TO W REG
                MOVWF FSR        ;; FSR = INDIRECT POINTER, NOW POINTING TO TEMP_HIGH
GET_TLOW:     MOVLW 0X02         ;; START TSTROBE COUNTER AT 02 TO ACCOUNT FOR
                MOVWF TSTROBE    ;; OVERHEAD IN GETTING TO THIS POINT OF ISR
                CLRF INDF        ;; CLEAR THE MEMORY LOCATION POINTED TO BY FS

```





# Application Note

## Temperature Sensor IC



INNOVATIVE SENSOR TECHNOLOGY



```
STRB:      INCF    TSTROBE,1    ;; INCREMENT TSTROBE
           BTFSC   STATUS,Z    ;; IF TSTROBE OVERFLOWED TO ZERO THEN
           GOTO    RTI         ;; SOMETHING WRONG AND RETURN FROM INTERRUPT
           BTFSS   PORTB,0    ;; LOOK FOR RISE ON ZAC WIRE
           GOTO    STRB       ;; IF RISE HAS NOT YET HAPPENED INCREMENT TSTROBE
```

```
BIT_LOOP:  CLRF    BIT_CNT    ;; MEMORY LOCATION USED AS BIT COUNTER
           CLRF    STRB_CNT   ;; MEMORY LOCATION USED AS STROBE COUNTER
           CLRF    TIME_OUT   ;; MEMORY LOCATION USED FOR EDGE TIME OUT
WAIT_FALL: BTFSS   PORTB,0    ;; WAIT FOR FALL OF ZAC WIRE
           GOTO    PAUSE_STRB ;; NEXT FALLING EDGE OCCURRED
           INCF    TIME_OUT,1  ;; CHECK IF EDGE TIME OUT COUNTER OVERFLOWED
           GOTO    WAIT_FALL
           GOTO    RTI        ;; EDGE TIME OUT OCCURRED
```

```
PAUSE_STRB: INCF    STRB_CNT,1  ;; INCREMENT THE STROBE COUNTER
            MOVF   TSTROBE,0    ;; MOVE TSTROBE TO W REG
            SUBWF  STRB_CNT,0    ;; COMPARE STRB_CNT TO TSTROBE
            BTFSS  STATUS,Z     ;; IF EQUAL THEN IT IS TIME TO STROBE
            GOTO   PAUSE_STRB   ;; ZAC WIRE FOR DATA, OTHERWISE KEEP COUNTING
            ;; LENGTH OF THIS LOOP IS 6-STATES. THIS HAS TO
            ;; MATCH THE LENGTH OF THE LOOP THAT ACQUIRED TSTROBE
            BCF    STATUS,C     ;; CLEAR THE CARRY
            BTFSC  PORTB,0     ;; SAMPLE THE ZAC WIRE INPUT
            BSF    STATUS,C     ;; IF ZAC WIRE WAS HIGH THEN SET THE CARRY
            RLF    INDF,1      ;; ROTATE CARRY=ZAC WIRE INTO LSB OF REGISTER
            ;; THAT FSR CURRENTLY POINTS TO
```

```
WAIT_RISE: CLRF    TIME_OUT   ;; CLEAR THE EDGE TIMEOUT COUN
           BTFSC  PORTB,0    ;; IF RISE HAS OCCURRED THEN WE ARE DONE
           GOTO   NEXT_BIT
           INCF    TIME_OUT,1  ;; INCREMENT THE EDGE TIME OUT COUNTER
           GOTO   WAIT_RISE
           GOTO   RTI        ;; EDGE TIME OUT OCCURRED.
```

```
NEXT_BIT:  INCF    BIT_CNT,1    ;; INCREMENT BIT COUNTER
            MOVLW  0X08        ;; THERE ARE 8-BITS OF DATA
            SUBWF  BIT_CNT,0    ;; TEST IF BIT COUNTER AT LIMIT
            BTFSS  STATUS,Z     ;; IF NOT ZERO THEN GET NEXT BIT
            GOTO   BIT_LOOP
```

```
WAIT_PF:   CLRF    TIME_OUT   ;; CLEAR THE EDGE TIME OUT COUNTER
           BTFSS  PORTB,0    ;; WAIT FOR FALL OF PARITY
           GOTO   P_RISE
           INCF    TIME_OUT,1  ;; INCREMENT TIME_OUT COUNTER
           GOTO   WAIT_PF
           GOTO   RTI        ;; EDGE TIMEOUT OCCURRED
```

```
P_RISE:    CLRF    TIME_OUT   ;; CLEAR THE EDGE TIME OUT COUNTER
WAIT_PR:   BTFSC  PORTB,0    ;; WAIT FOR RISE OF PARITY
           GOTO   NEXT_BYTE
           INCF    TIME_OUT,1  ;; INCREMENT EDGE TIME OUT COUNTER
           GOTO   WAIT_PR
           GOTO   RTI        ;; EDGE TIME OUT OCCURRED
```



# Application Note

## Temperature Sensor IC



INNOVATIVE SENSOR TECHNOLOGY



```

NEXT_BYTE:   INCF    FSR,1           ;; INCREMENT THE INDF POINTER
              MOVLW  LAST_LOC
              SUBWF  FSR,0           ;; COMPARE FSR TO LAST_LOC
              BTFSS  STATUS,Z        ;; IF EQUAL THEN DONE
              GOTO   WAIT_TLOW

```

```

.....
.....
;; IF HERE YOU ARE DONE READING THE ZAC WIRE AND HAVE THE DATA ;;
;; IN TEMP_HIGH & TEMP_LOW                                     ;;
.....

```

```

WAIT_TLOW:   CLRf    TIME_OUT
WAIT_TLF:    BTFSS  PORTB,0         ; WAIT FOR FALL OF PORTB,0 INDICATING
              GOTO   GET_TLOW       ; START OF TEMP LOW BYTE
              INCFSZ TIME_OUT
              GOTO   WAIT_TLF
              GOTO   RTI            ; EDGE TIMEOUT OCCURRED

```

```

RTI:         .....
              ;; RESTORE ANY STATE SAVED OFF AT BEGINNING OF ISR ;;
              .....
              BCF    INTCON,INTF     ;; CLEAR INTERRUPT FLAG
              BSF    INTCON,INTE     ;; ENSURE INTERRUPT RE-ENABLED
              RETFIE                 ;; RETURN FROM INTERRUPT

```

```

.....

```



# Application Note

## Temperature Sensor IC

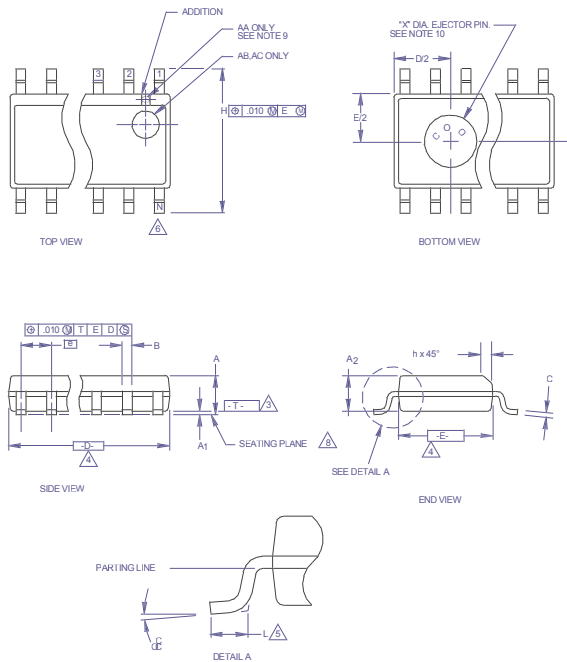


INNOVATIVE SENSOR TECHNOLOGY

### 6. Die and Package Specifications

#### 6.1 SOP-8

The following dimensional drawings are for the TSic Series SOP-8 (SOIC Narrow, 0.150) package. See Table 1.1 and Table 1.2 on the next page for the dimensions labeled in these diagrams. Unless specified otherwise, dimensions are in inches.

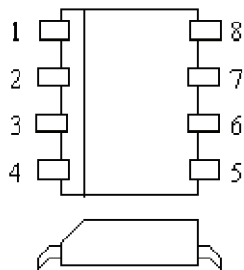


#### Notes:

1. Maximum thickness allowed is 0.015
2. Dimensioning and tolerances:
 

Decimal	Angular	3rd Angle Projection
.xx ±0.01"	±1 °C	
.xxx ±0.002"		
.xxx ±0.0010"		
3. "T" is a reference datum
4. "D" & "E" are reference datums and do not include mold flash or protrusions but do include mold mismatch and are measured at the mold parting line. Mold flash and protrusions do not exceed 0.006 inches at the end and 0.01" at the window
5. "L" is the length of the terminal for soldering to a substrate
6. "N" is the number of terminal positions
7. Terminal positions are shown for reference only
8. Formed leads are planar with respect to one another within 0.03" at the seating plane
9. The appearance of the pin 1 marker is optionally either the round type or the rectangular type
10. Country of origin location on package bottom is optional and depends on assembly location
11. Controlling dimension: Inches
12. This part is compliant with JEDEC Standard MS-012, Variation AA, AB & AC

#### 6.1.1 SOP-8 Pin Assignment



Pin	Name	Description
1	V+	Supply voltage (3 V to 5.5 V)
2	Signal	Temperature output signal
4	Gnd	Ground
3,5-8	TP/NC	Test pin / NC Do not connect



# Application Note

## Temperature Sensor IC



INNOVATIVE SENSOR TECHNOLOGY



### 6.1.2 Inches

	Common Dimensions			Note	Note Variations	3			S
	MIN	NOM	MAX			D	MAX	N	
A	0.061	0.064	0.068		AA	0.189	0.194	0.196	8
A1	0.004	0.006	0.0098		AB	0.337	0.342	0.344	14
A2	0.055	0.058	0.061		AC	0.386	0.391	0.393	16
B	0.0138	0.016	0.0192						
C	0.0075	0.008	0.0098						
D	See variations				3				
E	0.15	0.155	0.0157						
e	0.050 BSC								
H	0.23	0.236	0.244						
h	0.01	0.013	0.016						
L	0.016	0.25	0.035						
N	See variations				5				
	0 °	5 °	8 °						
X	0.085	0.093	0.1						

### 6.1.3 Millimeters

	Common Dimensions			Note	Note Variations	3			S
	MIN	NOM	MAX			D	MAX	N	
A	1.55	1.63	1.73		AA	4.8	4.93	4.98	8
A1	0.127	0.15	0.25		AB	8.58	8.69	8.74	14
A2	1.4	1.47	1.55		AC	9.8	9.93	9.98	16
B	0.35	0.41	0.49						
C	0.19	0.2	0.25						
D	See variations				3				
E	3.81	3.94	3.99						
e	1.27 BSC								
H	5.84	5.99	6.2						
h	0.25	0.33	0.41						
L	0.41	0.64	0.89						
N	See variations				5				
	0 °	5 °	8 °						
X	2.16	2.36	2.54						



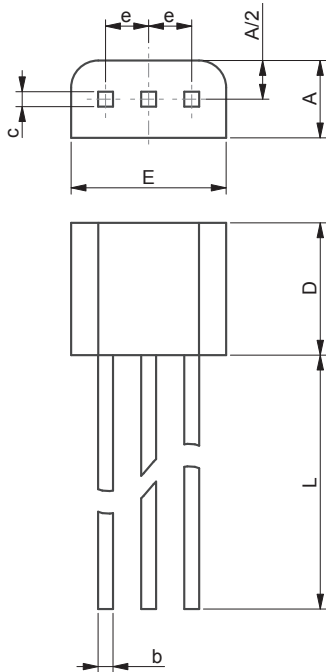
# Application Note

## Temperature Sensor IC



INNOVATIVE SENSOR TECHNOLOGY

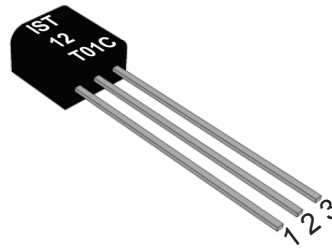
### 6.2 TO92



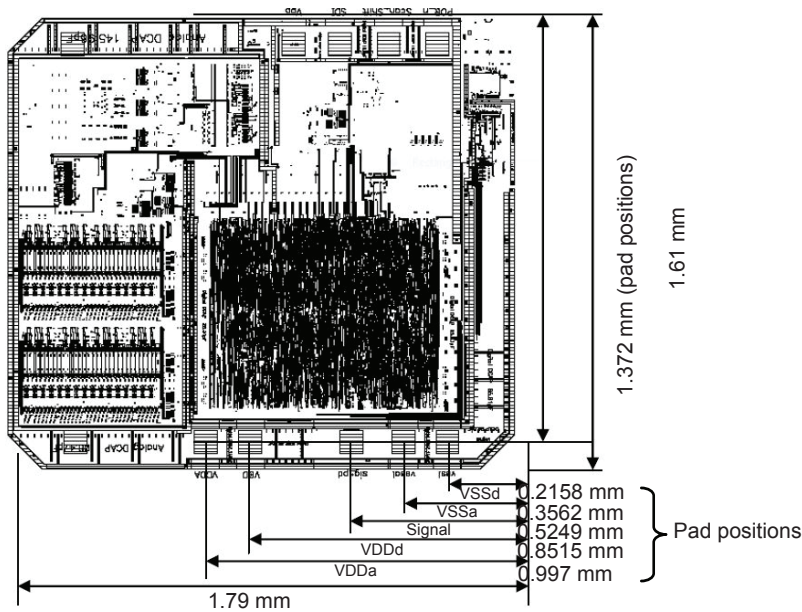
Dimensions	Millimeters		Inches	
	MIN	MAX	MIN	MAX
A	2.16	2.41	0.085	0.095
b	0.41	0.495	0.016	0.0195
c	0.41	0.495	0.016	0.0195
D	3.61	4.01	0.14	0.16
E	4.37	4.77	0.172	0.188
e	NOM. 1.27		NOM. 0.05	
L	13	13.97	0.512	0.550

#### 6.2.1 TO92 Pin Assignment

Pin	Name	Description
3	V <sup>+</sup> (V <sub>DD</sub> )	Supply Voltage (3 V to 5.5 V)
2	Signal	Temperature Output Signal
1	Gnd (V <sub>SS</sub> )	Ground



### 6.3 Bare Die





# Application Note Temperature Sensor IC



INNOVATIVE SENSOR TECHNOLOGY

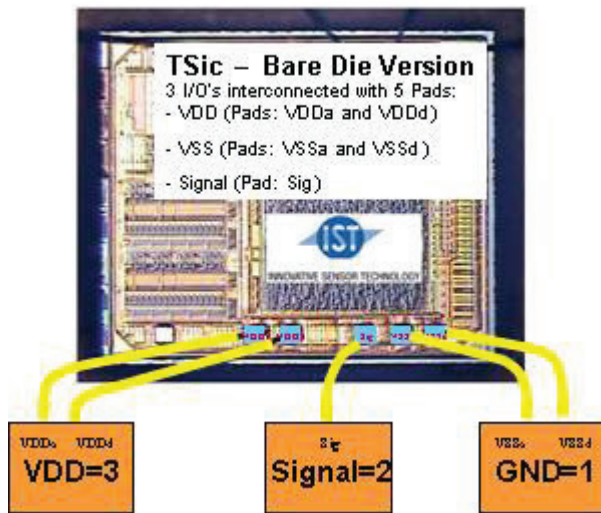


## 6.3.1 Bare Die Pin Assignment

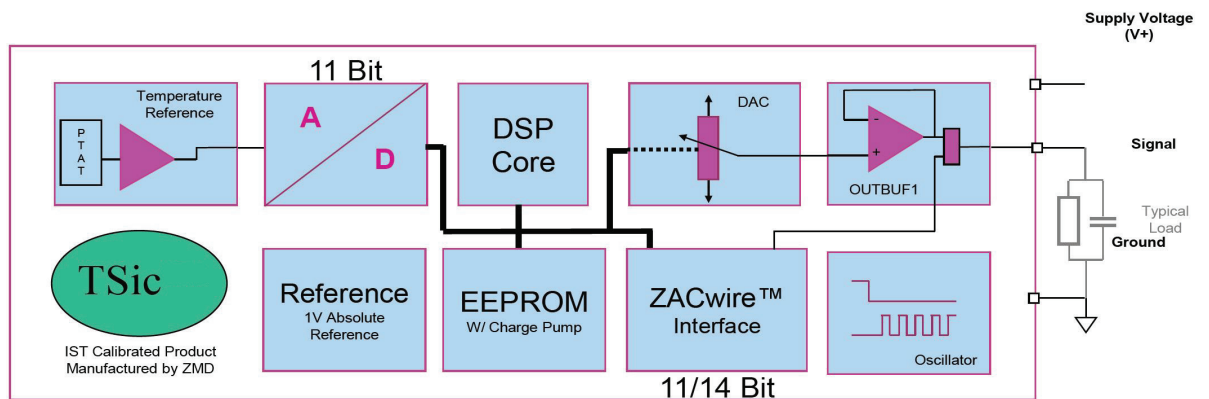
Pin	Name	Description
3	V <sup>+</sup> (V <sub>DD</sub> )	Supply Voltage (3 V to 5.5 V)
2	Signal	Temperature Output Signal
1	Gnd (V <sub>SS</sub> )	Ground

Die Thickness: 390 μm  
 Pad size: 68 μm x 68 μm

The analog and digital power and ground of the chip are wired to same substrate or Flex-Pad: V<sub>DDA</sub> and V<sub>DD</sub> are wired to V<sub>DD</sub>, and V<sub>SSA</sub> and V<sub>SS</sub> are wired to Ground. The Signal pin needs only one wire.



## 7. TSic Block Diagram





# Application Note Temperature Sensor IC



INNOVATIVE SENSOR TECHNOLOGY



## 8. Additional Documents

	Document name:	
Data Sheet:	DTTSic20x_30x_E	DTTSic20x_30x_D
	DTTSic50x_E	DTTSic50x_D
	DTTSic716_E	DTTSic716_D
LabKit:	DTTSicLabKit_E	DTTSicLabKit_D



INNOVATIVE SENSOR TECHNOLOGY



Phone: 0523 - 88155558 | Mobile: 13701245182 | E-mail: micsensor@yeah.net | Web: www.mic-sensor.com

All mechanical dimensions are valid at 25 °C ambient temperature, if not differently indicated • All data except the mechanical dimensions only have information purposes and are not to be understood as assured characteristics • Technical changes without previous announcement as well as mistakes reserved • The information on this data sheet was examined carefully and will be accepted as correct; No liability in case of mistakes • Load with extreme values during a longer period can affect the reliability • The material contained herein may not be reproduced, adapted, merged, translated, stored, or used without the prior written consent of the copyright owner • Typing errors and mistakes reserved • Product specifications are subject to change without notice • All rights reserved